

Berrow Road, Burnham-on-Sea, Somerset. TA8 2JQ

£115,000 Freehold

FOR SALE



www.housefox.co.uk



01934 314242
01275 404601
01278 557700
sales@housefox.co.uk

PROPERTY DESCRIPTION

House Fox Estate Agents are pleased to offer this turnkey A3/A4/A5 Restaurant and Cafe Establishment and Hot Food takeaway for sale situated in Berrow, Somerset, a village just outside Burnham-on sea boasting a thriving housing district, local shops and popular school plus of particular note being prominently situated on the main road through the village and to Brea with numerous holiday camps & parks.

The premises are currently trading as a take-away cafe & previously as a take-away/delivered pizza parlour.

Communication links are excellent with the M5 motorway junction 22 close at hand and bus connections to Burnham-on-sea & Weston-super-mare.

THE BUSINESS PREMISES

Main Café Area with counter area dividing the customer area from the kitchen.

Servery / Commercial Kitchen

Fitted with a stand alone display unit as photographed.

Customer/Staff WC.

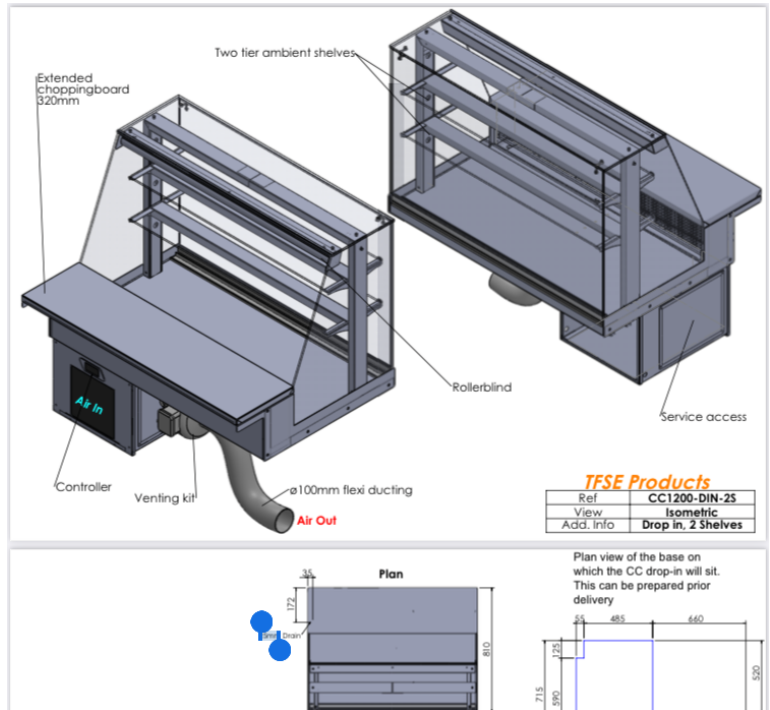
Total floor area 16 square metres.

FEATURES

- Commercial Shop
- Freehold Property
- A3/A4/A5 Restaurant and Cafe Licence
- EPC - E
- Cafe Currently Trading



ROOM DESCRIPTIONS



FLOORPLAN & EPC

